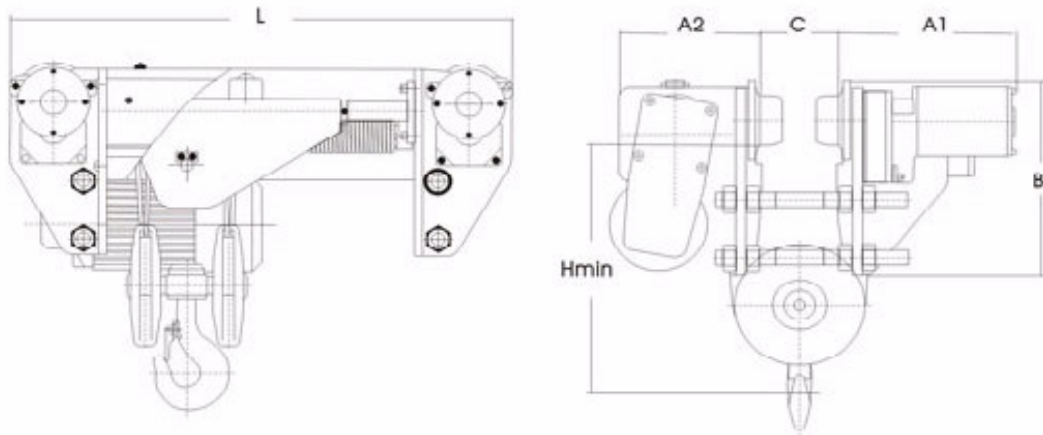




SHA Wire Rope Hoist (Parameter Table)



Type	capacity (t)	lifting speed (m/min)	Traveling speed	Classification	Rope reeving	lifting motor (kw)	C	A1	A2	B	Hmin	S	L					N.W (kg)
													Lifting standard					
													6	9	12	18	24	
SH A2	1.6	8.0/1.3	15/5	M5	2/1	2.5/0.37	100-400	350	277	398	500	0.0306H	765	885	1000	1218		320
	3.2	4.0/0.7	15/5	M5	4/1	2.5/0.37	100-400	350	277	398	510	0.0199H	1000	1218	1457			326
SH A3	2.5	8.6/1.4	15/5	M5	2/1	4.9/0.8	116-450	350	329	515	730	0.0424H	783	910	1037	1291		450
	5	4.3/0.7	15/5	M5	4/1	4.9/0.8	116-450	350	329	515	630	0.0212H	1037	1291	1546			470
SH A4	6.3	10.5/1.8	15/5	M4	2/1	10/1.6	130-500	475	458	688	760	0.0385H	870	990	1102	1333		470
	12.5	5.3/0.9	15/5	M4	4/1	10/1.6	130-500	475	458	688	680	0.0192H	1102	1333	1664			1200
SH A5	12.5	6.9/1.2	15/5	M4	2/1	12.8/2.1	140-550	530	527	922	920	0.0300H	1110	1220	1326	1549		1200
	25	3.4/0.6	15/5	M4	4/1	12.8/2.1	140-550	530	527	922	800	0.0195H	1326	1540	1772			